



RBI BEARING

Bearings + Technology + Solutions



MOUNTED SPHERICAL UNITS FOR EXTREME ENVIRONMENTS

www.rbibearing.com + 1-800-708-2128

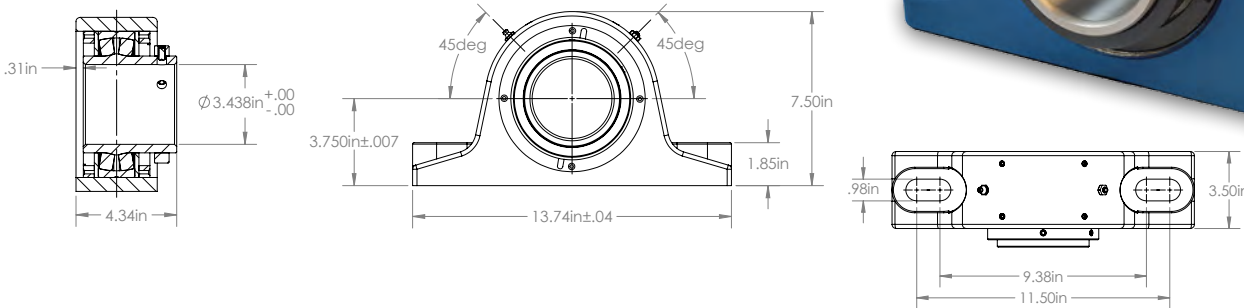
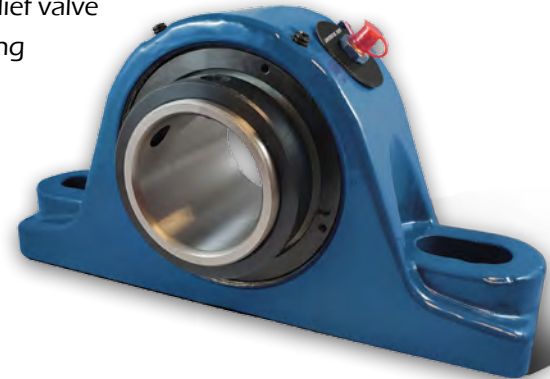
MOUNTED SPHERICAL UNITS FOR EXTREME ENVIRONMENTS

When you're up against harsh environments, you need a resilient and reliable roller bearing housed unit that can stand up to tough conditions. RBI Bearing's line of Mounted Spherical Units will do just that - endure challenging environmental conditions, such as, impacts from aggregate, extreme temperatures, heavy load conditions and misalignment. Our Mounted Spherical Units are also available with Armor Bearing Technology & Protection to reduce bearing friction and substantially increase bearing life. See Armor information on the last page.

SPHERICAL ROLLER BEARING SOLID BLOCK HOUSED UNITS

FEATURES & BENEFITS:

- Steel housing
- Powder coated housing (other coatings available)
- Field convertible from non-expansion to expansion (vice versa)
- Bearing insert pressed steel retainers
- Bearing rings & roller 52100 bearing steel
- Ulti-plex synthetic grease
- Teflon labyrinth seal
- Concentric locking collar
- Size range: 1-15/16" – 4-15/16"
- Bore sizes over 4" come with a double collar
- Housing dimensions match both Type-E & traditional straight bore units
- Housings machined at each end for easier installation
- Interchangeable with most major brands
- High load capacity
- Handles misalignment up to ±1.5 degrees
- Purge relief valve
- Zerk fitting



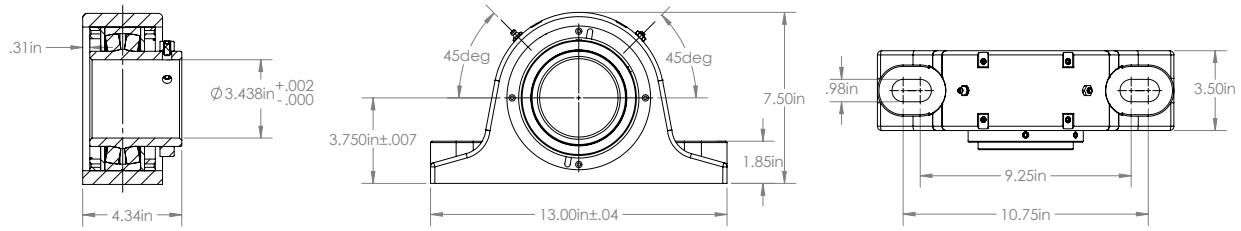
TYPE E DIMENSIONS - 2 BOLT

Part Number	Bore Size	A	B	E (min)	E (max)	F	G	H	J (Bolt Size)	L1	Weight (LBS.)
E2P115	1.938	2.250	4.50	6.00	7.25	8.86	2.24	1.22	5/8	3.00	14
E2P203	2.188	2.500	5.00	6.50	8.00	9.63	2.36	1.22	5/8	3.18	18
E2P207	2.437	2.750	5.50	6.88	8.74	10.24	2.80	1.38	5/8	3.52	23
E2P215	2.938	3.125	6.25	7.88	9.76	11.75	2.92	1.38	3/4	3.84	30
E2P307	3.438	3.750	7.50	9.38	11.50	13.74	3.50	1.85	7/8	4.34	45

ALSO AVAILABLE WITH ARMOR BEARING TECHNOLOGY & PROTECTION.
CALL 1-800-708-2128 FOR MORE INFORMATION AND PRICING.

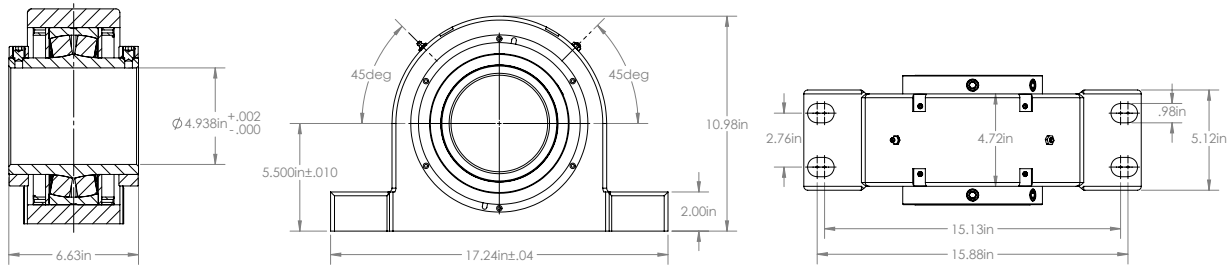


SPHERICAL ROLLER BEARING SOLID BLOCK HOUSED UNITS CONTINUED



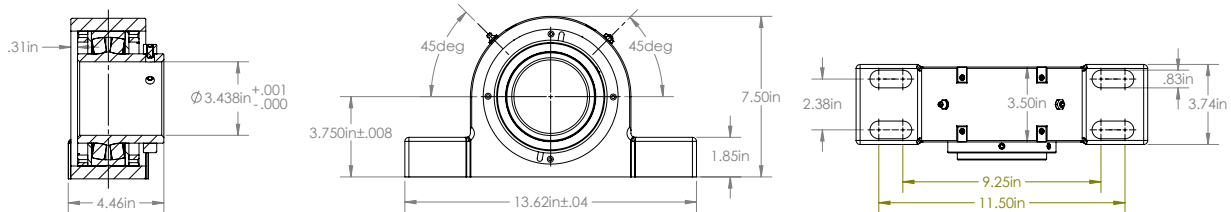
STRAIGHT BORE DIMENSIONS - 2 BOLT

Part Number	Bore Size	A	B	E (min)	E (max)	F	G	H	J (Bolt Size)	L1	Weight (LBS.)
T2P115	1.938	2.250	4.50	5.94	6.56	8.13	2.24	1.22	5/8	3.00	14
T2P203	2.188	2.500	5.00	6.50	7.06	8.87	2.36	1.22	5/8	3.18	18
T2P207	2.437	2.750	5.50	6.81	7.44	9.25	2.80	1.38	5/8	3.52	23
T2P215	2.938	3.250	6.37	7.72	8.43	10.44	2.92	1.38	3/4	3.84	30
T2P307	3.438	3.750	7.50	9.25	10.75	13.00	3.50	1.85	7/8	4.34	45



STRAIGHT BORE DIMENSIONS - 4 BOLT

Part Number	Bore Size	A	B	D	E (min)	E (max)	F	G	H	J (Bolt Size)	L1	L2	Weight (LBS.)
T4P307	3.438	3.750	7.50	1.97	9.13	10.95	13.00	3.74	1.85	3/4	4.46	-	45
T4P315	3.938	4.250	8.50	2.25	10.88	13.39	14.88	4.33	2.00	3/4	5.13	-	60
T4P407D	4.438	4.750	9.70	2.50	11.22	14.00	16.13	4.72	2.00	3/4	-	6.13	90
T4P415D	4.938	5.500	10.98	2.76	15.13	15.88	17.24	5.12	2.00	7/8	-	6.63	90



TYPE E DIMENSIONS - 4 BOLT

Part Number	Bore Size	A	B	D	E (min)	E (max)	F	G	H	J (Bolt Size)	L1	Weight (LBS.)
E4P307	3.438	3.750	7.50	2.38	9.25	11.25	13.623	3.74	1.85	3/4	4.46	45

**ALSO AVAILABLE WITH ARMOR BEARING TECHNOLOGY & PROTECTION.
CALL 1-800-708-2128 FOR MORE INFORMATION AND PRICING.**

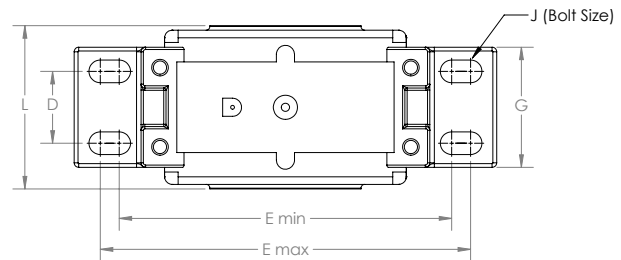
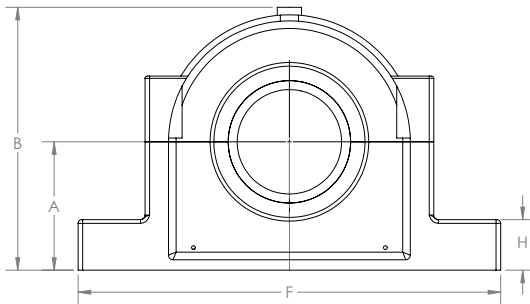
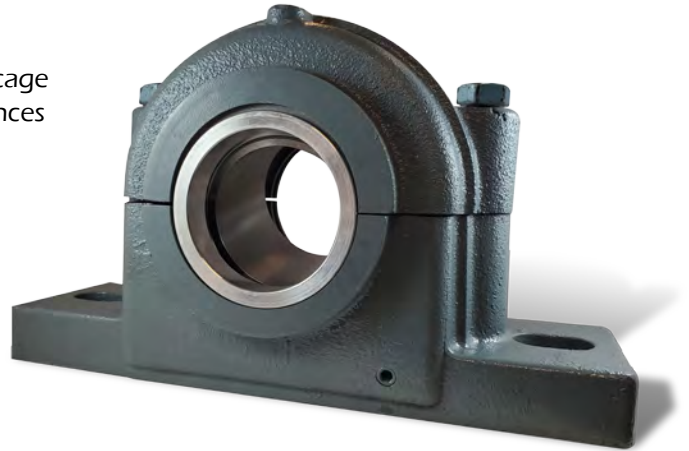


SPHERICAL ROLLER BEARING SPLIT BLOCK HOUSED UNITS



FEATURES & BENEFITS:

- Housings material: Cast Iron
- Spherical Roller Bearing material: 52100 bearing steel with Brass cage
- Tapered bore: C3 clearance, oil groove & lube holes, other clearances available upon request
- Labyrinth seal material: Aluminum
- HA adapter assembly consists of Sleeve, Nut & Washer and is interchangeable with SNW adapter assembly
- Pillow block assembly uses either 2 seals or 1 seal & 1 end cover
- Other sizes and dimensions available upon request



Housing Part No.	Shaft Diameter	A	B	D	E (min)	E (max)	F	G	H	J (Bolt Size)	L
SAF517	2-15/16	3.75	7.32	-	9.88	10.98	12.99	3.50	1.26	3/4" (2)	5.00
SAF520	3-7/16	4.50	8.74	-	11.61	13.11	15.24	4.37	1.77	1" (2)	5.98
FSAF522	3-15/16	4.94	9.65	2.75	12.64	14.49	16.50	4.76	2.01	3/4" (4)	6.50
FSAF526	4-7/16	6.00	11.50	3.25	14.65	15.98	18.39	5.12	2.40	1" (4)	7.99
FSAF528	4-15/16	6.00	11.73	3.38	15.98	17.13	20.12	5.87	2.40	1" (4)	7.64
FSAF532	5-7/16	6.69	13.31	3.75	17.40	19.25	22.01	6.26	2.64	1" (4)	8.74

2-BOLT HOUSING PART NO.	4-BOLT HOUSING PART NO.	SPHERICAL ROLLER BEARING P/N	ADAPTER ASSEMBLY P/N	SEAL P/N	END COVER P/N	STABILIZING RING P/N	PILLOW BLOCK ASSEMBLY P/N
SAF517	-	22217CAKW33C3	HA317_2-15/16"	LER 53	A517	SR-17-14	SAF 22517
SAF520	-	22220CAKW33C3	HA320_3-7/16"	LER 102	A520	SR-20-17	SAF 22520
-	FSAF522	22222CAKW33C3	HA322_3-15/16"	LER 109	A522	SR-22-19	FSAF 22522
-	FSAF526	22226CAKW33C3	HA3126_4-7/16"	LER 117	A526	SR-26-0	FSAF 22526
-	FSAF528	22228CAKW33C3	HA3128_4-15/16"	LER 122	A528	SR-28-0	FSAF 22528
-	FSAF532	22232CAKW33C3	HA3132_5-7/16"	LER 130	A532	SR-32-0	FSAF 22532

**ALSO AVAILABLE WITH ARMOR BEARING TECHNOLOGY & PROTECTION.
CALL 1-800-708-2128 FOR MORE INFORMATION AND PRICING.**





RBI BEARING

Bearings + Technology + Solutions

CORE PRODUCTS

- Ball Bearings
- Angular Contact Bearings
- Tapered Roller Bearings
- Spherical Roller Bearings
- Cylindrical Roller Bearings
- Insert Bearings
- Mounted Units
- Stainless Steel & Thermoplastic Mounted Units
- Spherical Roller Mounted Units
- Armor Bearing Technology & Protection



BEARING TECHNOLOGY & PROTECTION

**REDUCE DOWNTIME &
OPERATION COSTS WITH
ARMOR BEARING TECHNOLOGY
& PROTECTION.**

**ARMOR Nano Technology
ARMOR Long Lasting Lubrication
ARMOR Coated Protection**

Armor Bearing Technology & Protection reduces bearing friction and substantially increases bearing life - which means less downtime and reduced repair costs.

- Significantly extend the bearings life
- Shields the bearing against harsh environments
- Saves time and operation costs
- Provides constant and consistent lubrication
- Preventing contamination ingress & corrosion
- Dramatically reducing shutdowns & the need for maintenance